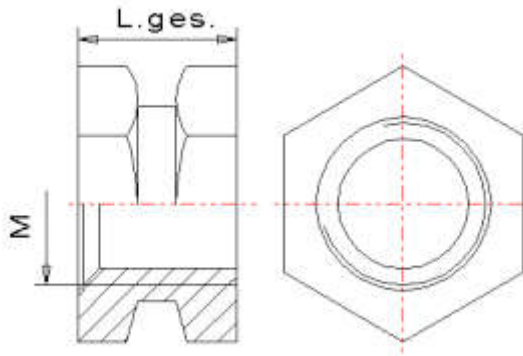
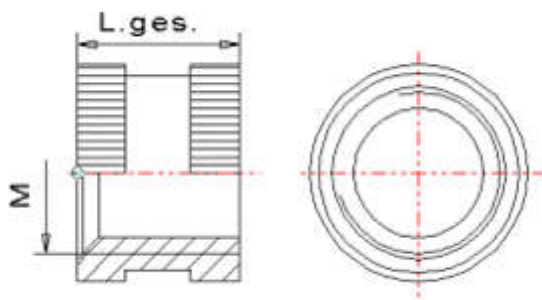


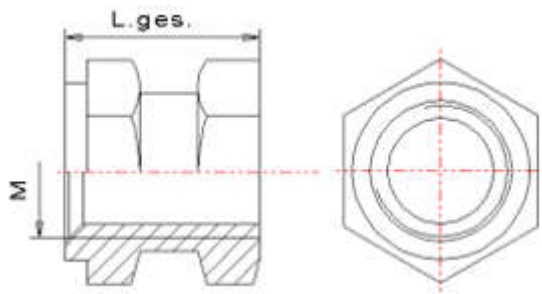
DIN 16903 Threaded Bushing Design A



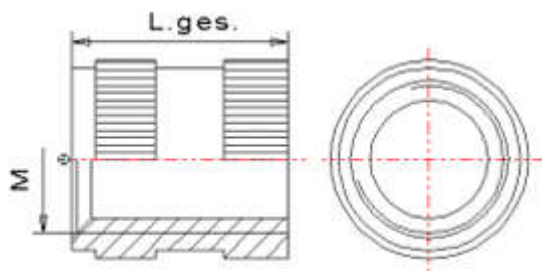
DIN 16903 Threaded Bushing Design B



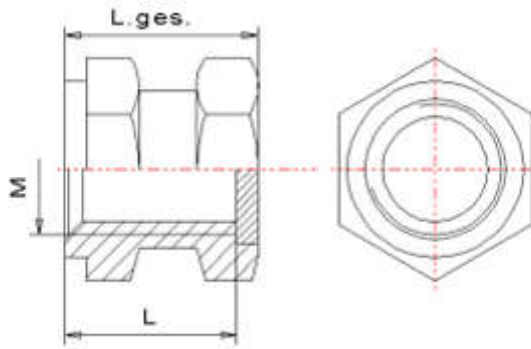
DIN 16903 Threaded Bushing Design C



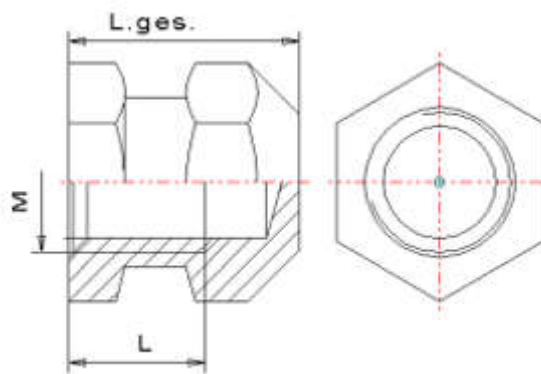
DIN 16903 Threaded Bushing Design D



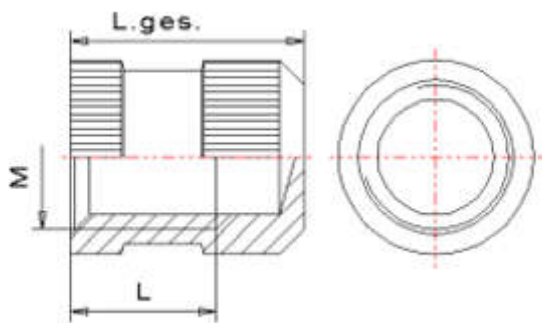
DIN 16903 Threaded Bushing Design G



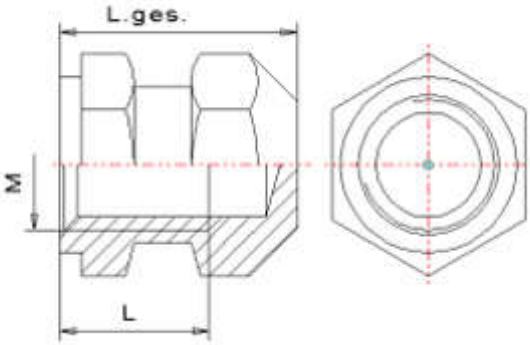
DIN 16903 Threaded Bushing Design P



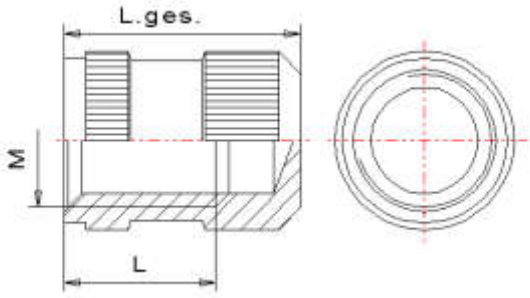
DIN 16903 Threaded Bushing Design Q



DIN 16903 Threaded Bushing Design R



DIN 16903 Threaded Bushing Design S



DIN 16903 Threaded Bushing Design U

