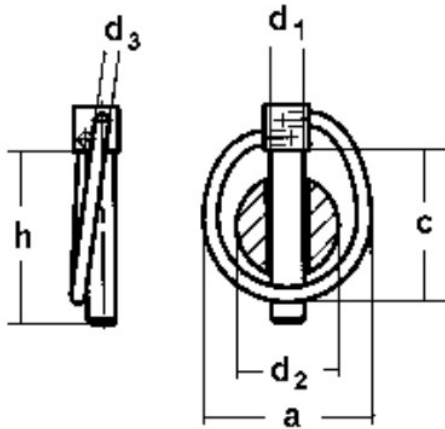


# DIN 11023

Linch Pins dimension:



d1	h	d2 max	d3	a	c
4.5	32	25	3.5	41	37
6	40	32	3.5	41	37
7	40	32	3.5	41	37
8	40	32	3.5	41	37
9	40	32	3.5	41	37
10	40	32	3.5	41	37
11	40	32	3.5	41	37

\* All size in mm ;