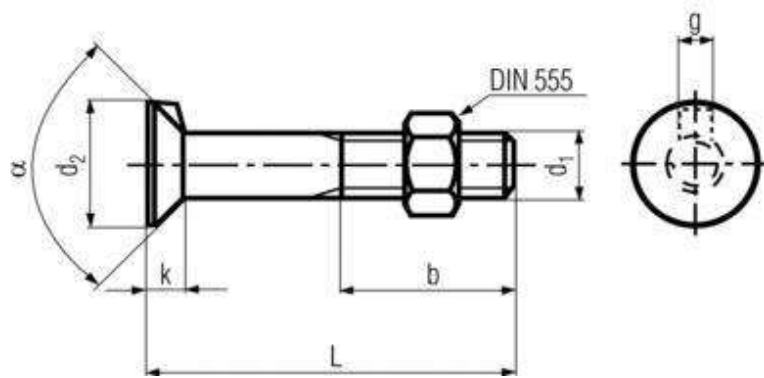


## DIN 604 Specifications



All measurements in millimeters (mm)

$d_1$	$d_2$	$k$	$a$	$b$
M8	16	5	90°	22
M10	19	5.5	90°	26
M12	24	7	90°	30
M16	32	9	90°	38
M20	32	11.5	60°	46
M24	38.8	13	60°	54

All information is strictly informative