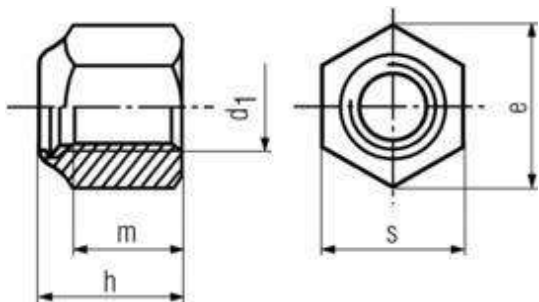


## DIN 982 Specifications



All measurements in millimeters (mm)

$d_1$	$s$	$e$	$m$ min	$h$
M5	8	8.79	3.52	6.3
M6	10	11.05	3.92	8
M8	13	14.38	5.15	9.5
M10	17	18.90	6.43	11.5
M12	19	21.1	8.3	14
M14	22	24.49	9.68	16
M16	24	26.75	11.28	18
M20	30	32.95	13.52	22
M24	36	39.55	16.16	28

All information is strictly informative